

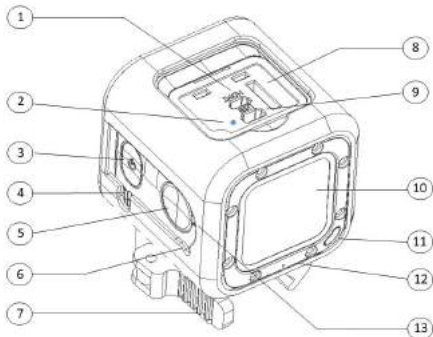
# USER MANUAL

## Table of Contents



01/ TRIGGERCAM BSP Functions	3
02/ Getting Started	5
03/ Basic Functions	6
04/ Camera Settings	8
05/ Mounting Setup	11
06/ Connecting to the TRIGGERCAM BSP App	12
07/ Customer Support	12

## 01 | TRIGGERCAM BSP Functions



1. Micro HDMI Port (cable not included)

2. Charger Light indicator

3. Power/Mode Button

4. Mode Light

5. Shutter / WiFi Button

6. Beeper

7. Mounting lever

8. Micro SD card slot

9. C-Type USB

10. Lens cover

11. Status Light

12. Microphone

13. Record Light / WiFi Light

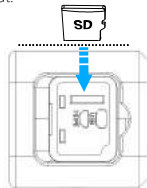
## 02 | Getting Started

### Removing film over lens cover

Remove the protective film from the lens cover.

### Micro SD card

The TRIGGERCAM BSP includes an SD card. To remove the card, press it into the slot with your fingernail and it will pop out.



Use brand name memory cards that meet these requirements:

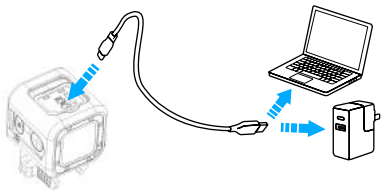
- MicroSD, microSDHC, or microSDXC
- UHS-I rating, U3 video level

**⚠ NOTICE:** Be careful when handling memory cards. Avoid liquids, dust and debris. As a precaution, power off the camera before inserting or removing the card. Check manufacturer guidelines regarding use in acceptable temperature ranges.

## 02 | Getting Started

### Battery Charging

Charge the BSP camera using the included USB C-type cable, connect camera to the computer or charger. The camera charger light (red) turns on during charging and turns off when the camera is fully charged.



**⚠ NOTICE:** The BSP camera battery is integrated, and cannot be removed from the camera, the battery is non-serviceable. Damage to the camera or battery caused by contact with liquid is not covered under the warranty.

## 03 | Basic Functions

### Power On

When Quick Capture is not turned on, press and hold the Power/Mode button for 2 seconds, the beeper will beep once, the BSP camera powers on.

When Quick Capture is turned on, press the Power/Mode once, the beeper will beep 3 times, the BSP camera powers on, starts to record with settings stored last.

### Power Off

Press and hold the Power/Mode button for 2 seconds, the camera Mode Light and Status Light will flash 3 times simultaneous, and the beeper will beep 3 times, the camera powers off.

### WiFi ON/OFF

Press and hold the Shutter/WiFi button to turn WiFi ON/OFF, when WiFi is on, the yellow WiFi indicator will flash, after successful connection with a smart phone, the yellow WiFi indicator will remain on.

### Switch Mode

When the BSP camera is switched on, Press Power/Mode button for, video mode(blue light) and photo mode(green light).

### Capturing Video

In video mode, press Shutter/WiFi button to start recording, the camera will beep once. The mode light and status lights will flicker while recording. To stop recording press the Shutter/WiFi button again, the camera will beep 3 times and the light indicators will stop flashing.

## 03 | Basic Functions

### Capturing Photos

Press Power/Mode button to activate photo mode (green light). In photo mode, press the Shutter/WiFi button to capture a photo.

### Forced Shutdown

Press and hold Power/Mode button for 15 seconds, camera will be forced shutdown.

## 04 | Camera Settings

### 1. Video Settings

To adjust camera settings, please access the **TRIGGERCAM** BSP APP:

#### Video Mode

Video mode contains 2 functions: Ordinary video and slow motion. Slow motion only supports 30fps video, audio recording not supported with this function.

#### Video Resolution Options

Video Resolution	FPS	Screen Resolution
4K	30	3840x2160 16:9
2.5K	60/30	2560x1440 16:9
1080P	120/60/30	1920x1080 16:9
720	240/120	1280x720 16:9

## 04 | Camera Settings

### Slow Motion

Supports 4X, or 8X slow motion video capture. Slow mode only supports 1080p120 720P240 720P120 video. Audio cannot be recorded in this mode.

### FOV

The Field of View options available are Wide, Medium, Narrow.

### Cycle Record Time

Optional Looping intervals are Off, 1,2, 3, and 5 minutes. If you open the "Looping", the recorded file will be divided into multiple sections written into the memory card, the camera will record until memory card is full, and then overwrite the previous recorded small section content.

### Recording Volume

ON/OFF optional.

### WDR

Implies that the camera can handle bright and dark conditions and improve quality of freeze frames. ON/OFF optional.

### Auto low Light

Auto Low Light mode intelligently changes frame rate based on lighting conditions, increasing exposure time for optimal low light performance.

## 04 | Camera Settings

### 2. Camera Setting

#### Sight

This optional setting is able to turn the sight function ON/OFF. The sight can be adjusted during live streaming through pressing the arrows. The sight can be bore-sighted with your firearm, to align the aim of the BSP camera and your firearm.

#### Image Rotate

Provides the option to rotate the orientation of your video according to the desired mounting on the selected firearm.

#### Light Frequency

Light Frequency can be adjusted to Auto, 50Hz, 60Hz. If video footage flashes, adjust the light frequency for improved results.

#### TV Format

PAL and NTSC, Video format setting is mainly for watching the video on TV/HDTV, to control the record frame rate of recording and playback.

#### Video Coding

Optional formats are H.264 and H.265.

#### Video Stabilization

This setting optimizes video quality through stabilization technology

## 04 | Camera Settings

### Quick Capture

Press the power / mode button once, camera starts recording immediately, press the power / mode button to shutdown the camera, press the Shutter / WiFi button to stop recording.

### Stamp

When the Stamp function is turned on, you can attach the current time to a photo or video.

### TV Out

TV signals can be output to other devices for different applications. This function requires corresponding accessories and needs to be purchased separately.

### Beeper Sound

You can turn on or turn off the beeps.

### Video timing Alarm

Your camera can be configured to start an alarm reminder for 3,5,10 minutes after recording, alarm continues until you press any button. This function could assist in preserving battery operation time.

## 05 | Mounting Setup

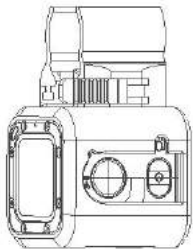
### Step 1:

Select the desired mount. The barrel mount or the picatinny mount, slide the desired mount into the housing slots and secure the mount with the magnetic position block provided.

### Step 2:

Turn the mounting lever to achieve the desired position, then lock the lever in position.

**⚠ NOTICE:** Never over tighten the mounting lever threads. Never force the locking of the lever into position. This product was designed to withstand force and recoil if installed correctly. If the parts does not lock smoothly, restart the mounting setup process or contact our customer support division.



**PRO TIP**

Visit our Youtube channel for pro tips on how to achieve the perfect mount, every time!

## 06 | Connecting to the TRIGGERCAM BSP App

The TRIGGERCAM BSP App lets you control your camera remotely using a smart phone or tablet device. Features include full camera control, live streaming, playback and sharing of content.



TRIGGERCAM BSP APP

TO CONNECT YOUR BSP Camera TO THE APP:

1. Download the TRIGGERCAM BSP App to your smart phone/tablet from the Apple App Store or Google Play.
2. Follow the on-screen instructions to connect your BSP camera to the TRIGGERCAM BSP App. The default password for your BSP camera is [1234567890](https://www.triggercam.com).

## 07 | Customer Support

**TRIGGERCAM** is dedicated to providing the best possible service. To reach our Customer Support, visit [www.triggercam.com](https://www.triggercam.com).

**TRIGGERCAM** is a registered trademark of Eyecam Technologies in the United States of America and internationally.